



16809-
2015

ISO 16809:2012
Non-destructive testing — Ultrasonic thickness measurement
(IDT)



2015

1

-

-

» (« »)
,

4

2

No 371 « »

3

4 2015 . No 555-

4

» (ISO 16809:2012 «Non-destructive testing. 16809:2012
Ultrasonic thickness measurement»).

1.5 (3.5).

-

-

-

5

1.0—2012 (8).

(

»),

«

-

».

—
()

«

«

».

,
—

(www.gosl.nj)

-

-

1	1
2	1
3	1
4	1
5	3
5.1	3
5.2	3
5.3	3
5.4	3
5.5	3
5.6	3
6	3
6.1	3
6.2	4
6.3	5
6.5	5
6.6	6
7	6
7.1	6
7.2	6
7.3	7
8	8
8.1	8
8.2	10
8.3	10
9	11
9.1	11
9.2	11
9.3	11
9.4	11
9.5	11
10	12
10.1	12
10.2	12
10.3	13
()	14
8 ()	19
()	21
()	25
()	29
.....	30

16809—2015

ISO 16809:2012 Non-destructive testing — Ultrasonic thickness measurement -
SC 3 « (CEN) EN 14127:2011
)*, ISO/TC 135 « ».

Non-destructive testing. Ultrasonic testing. Thickness measurement

— 2016—03—01

1

2

(), (ISO 5577
 5577 Non-destructive testing — Ultrasonic inspection — Vocabulary) (ISO 5577
 16811 (ISO 16811 Non-destructive testing — Ultrasonic testing — Sensitivity and range
 setting) (ISO 16811 Non-destructive testing — Ultrasonic testing — Sensitivity and range
 EH 1330-4 4. (EN 1330-4 Non-destructive testing. Terminology. Terms used in ultrasonic
 testing)

3

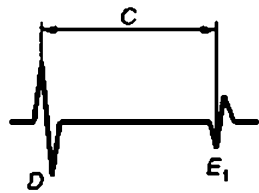
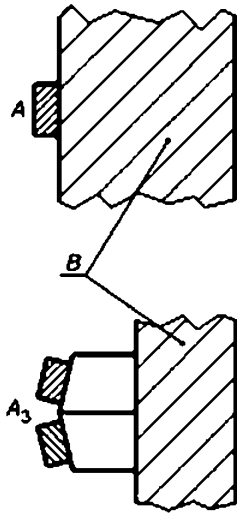
5577 1330-4.

4

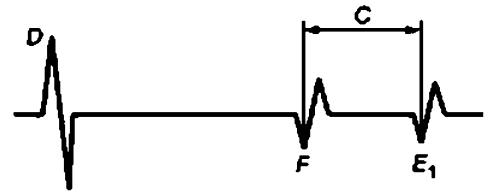
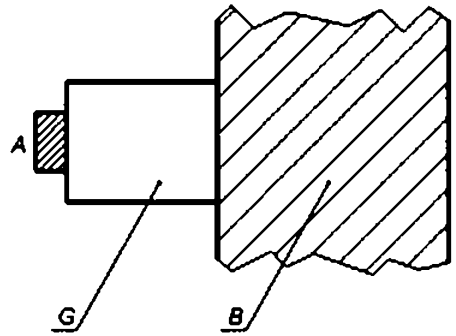
(1):
 1: (1):
 (2: ():
 (3: ():
).

4:

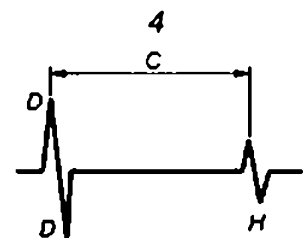
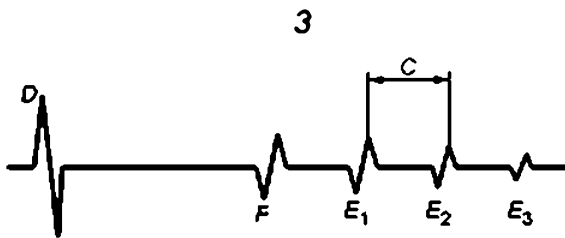
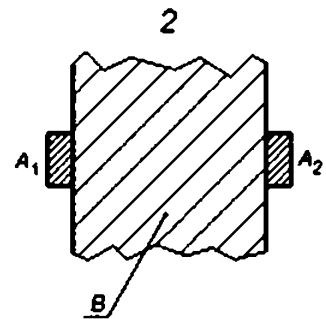
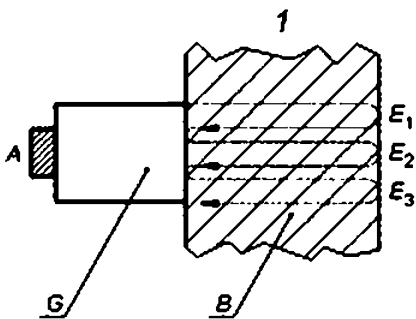
() .



Режим 1

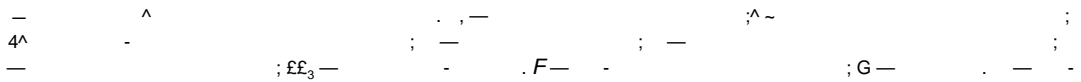


Режим 2



Режим 3

Режим 4



5

5.1

a)

b)

c)

5.2

•

•

5.3

5.4

5.5

5.6

6

6.1

6.2

6.2.1

-
-

a)

50

100

b)

c)

d)

3.

1 2).

(

).

(7).

6.2.2

6.2.2.1

1.2

0.1 0.2

[5.1) 5.1)],

6.2.2 2

4

(4).

1

6.2.3

5.1)

() ,

PC

(8).

0.3 0.4

6.3

6.2. . .

PC

3. (2). /

8 PC

6.4

5.1) 1—4 (4).

• 5.1) 6.2.2 6.2.3; 1.2 3 (4).

• 5.1) 6.2.2.1 6.2.3; 1.2 3 (4).

6.2.2.1 6.2.3.

6.5

.1.

6.6

6.6.1

6.6.2

20 °

60 °

20 *

6.6.3

60 °

6.6.4

7

7.1

v—

7.2

7.2.1

.1 .2

))]

[5.1)].

[5.1

7.2.2

5.1) 5.1).

1. 2. 3.

7.2.3

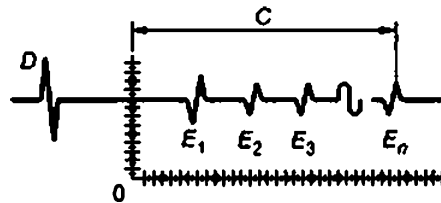
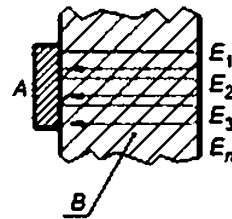
16811.

1

2

3

2 10 (2).



7.3

- a)
- b)
- c)
- d)
- e)
- o
-)
- h)

8

8.1

8.1.1

8.1.1.1

8.1.1.2

8.1.1.3

1.2 4

1:4

8.1.2

0.8

8.1.3

-1
- 20
- 1 20

$$v = 5920 \text{ "1;}$$

$$v = 4100 \text{ ~';}$$

$$= 1.02 \text{ ;}$$

$$5920 \frac{1211 \cdot 2 \text{EJEl} \ll 1.738 \text{ -}^*}{4100} \text{ (2)}$$

$$1.738 \cdot 5920 = 1.029 \text{ : (3)}$$

- 1,029 ;
- 0.009 .

8.1.4

(3).

..... 1 $v = 5920$ "1:

•100 $v = 2100$ 1 (

);

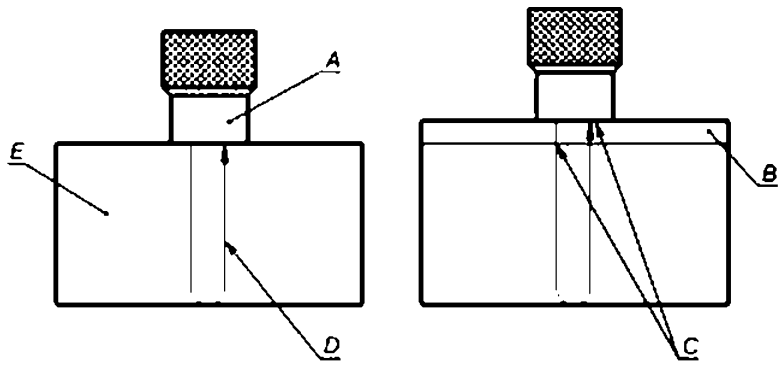
..... 1 100 = 1.1 :

5920 2100 ^{2,65-^} <4>

$2.165^{-7} 5920 = 1.282$; (5)

• 1,282 :

•0,182 .



3—

8.1.5

8.1.5.1

()

±10%.

».

8.1.5.2

8

8.1.5.3

8.1.5.4

8.2

8.2.1

—
 ,
 0.01 . 0.001 , (5.1)]
 , ()
 , .

8.2.2

—
 ,
 , / (,
 . .).
 ,
 ,
 ,
 ,

(6)

— ;
 f— :
 —

(5.1)]

8.3

8.3.1

8.3.2

.1.

8.3.3

.2.

9

9.1

9.2

9.3

(9.1).

9.4

9.5

9.5.1

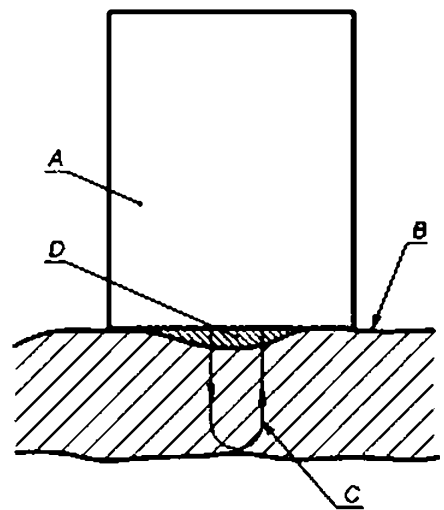
9.5.2

3 (4).

8.1.3 8.1.4.

2 3 (4).

1.



4.

4—

9.5.3

9.5.4

10

10.1

10.2 10.3.

10.2

- a)
- b)
- c)
- d)
- e)
- f)
- g)
- h)
- i)
- j)
- k)
- l)
- m)
- n)
- o)
- p)
- q)
- r)
- s)
- t)
- u)
- v)
- w)
- x)
- y)
- z)

10.3

- a)
- b)
- c)
- d)
- e)
- f)
-)
- h)
- i)

: ; ; ;
(,): /);
, , / ;
, , / ;
/ . / ; .

()

.1

.1

.2

.2.1

3.

.2.2

1.5

(.8.2.2);

10

(3)

10

5

3.

.2.3

.2.4

()

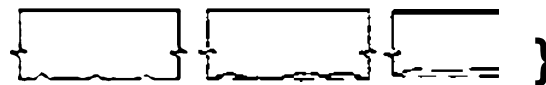
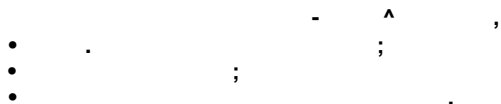
(-1).

1

| 5.1) 5.1))

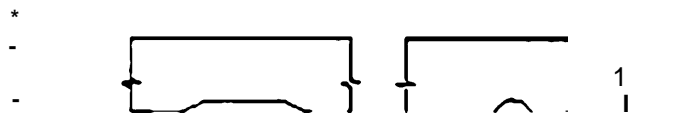
N9

1



2

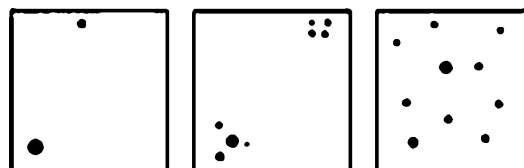
2



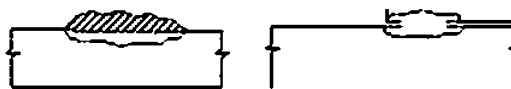
«
03 MI !



2



3



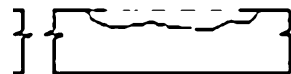
1

N9

4

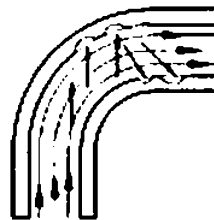
/ , / -

X

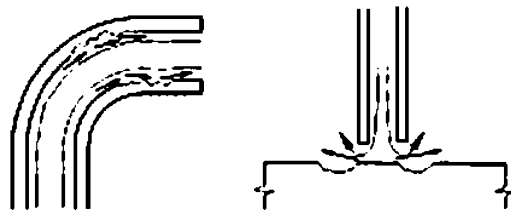


5

>



6



7 Me



N9			»	
9			● ● ● ●	
» « - * * > , * , * »« , .				

.
.3.1

(S.1) 5.1).
.3.2

.
.3.3

.
.3.4

()

1 —

)			
		» »		/
			, /	, ,
		, ,		
	• *)	• ;	• « ;	• ; *)
	- :	• ;	- -	- -
		• ;	- :	• ;
		,	- :	/ ;
			.	- - - - -

16809-2015

	pi		
	—	—	—
	* > *	-	. / 3.
!			v
	,		
	;	;	.

()

,

.1 — ,

			,	,	
			.	.	
			-	-	
				-	
				-	
					/
				-	©
				-	3
				,	
				-	
					(±122)Jd)
					-
				-	
			-	1	
			,	4	
				,	
				0	
				-	

n>

. 1

				**
			,	-
				-
			,	-
		V-	,	-
			«	.
				,
				3.
				,

16809—2015

.2
 a) .2.1 .2.1
 b) .2.2 .2.2 ! (MR) /
 14253-212). MR Rnnioc

/

1) 1 68 V
 2) * 2 95 %.
 3) 3 99.8 %;

(—
 1)
 2)
 i— , (, ,)
 ,)
 • : a_t » 0.6 :
 • : -* 0.5 .
 —

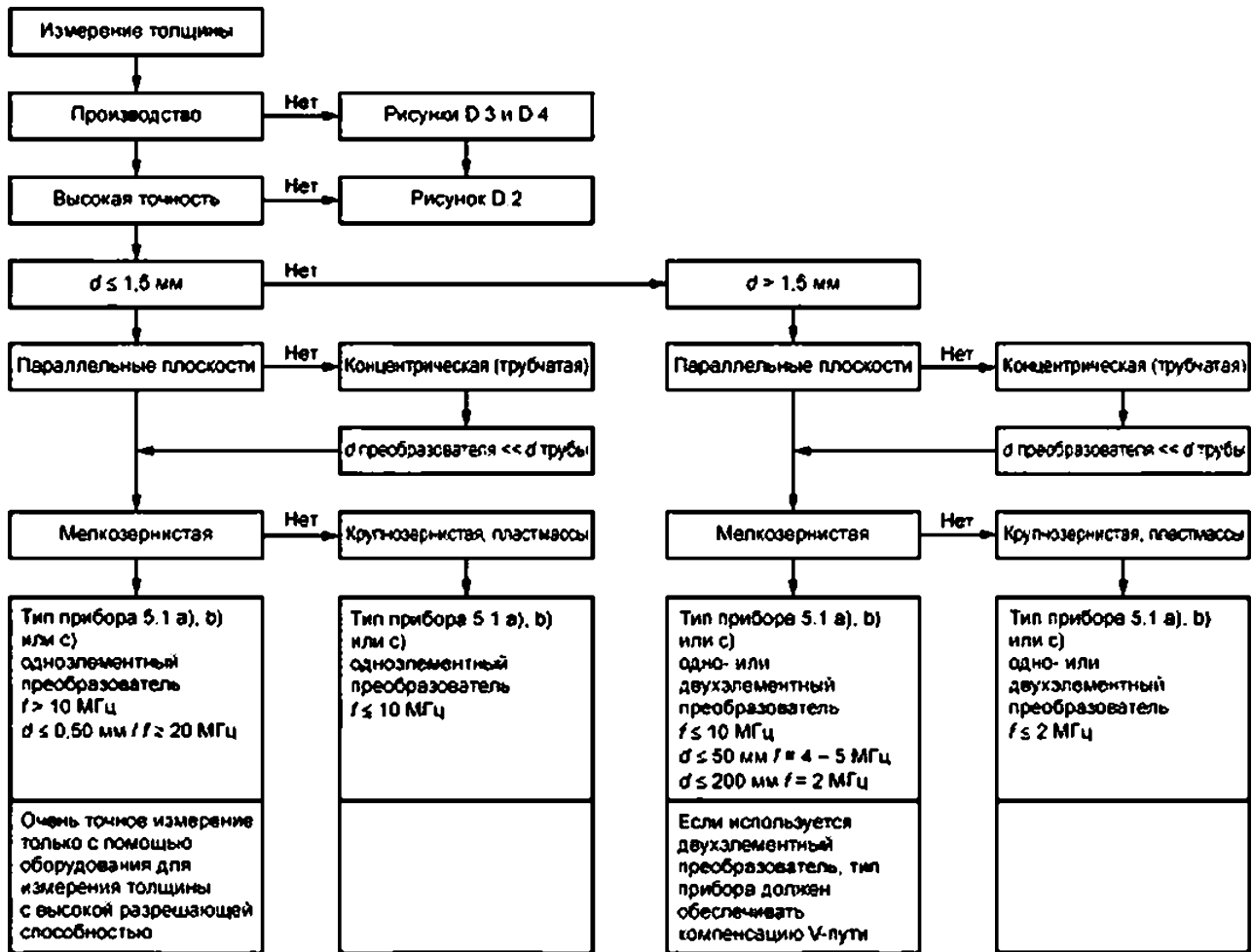
.2 .2.1 .2.2 10
 Ra • 6.3

.2 — 10 . .2.1 .2.2
 Ra 6.3

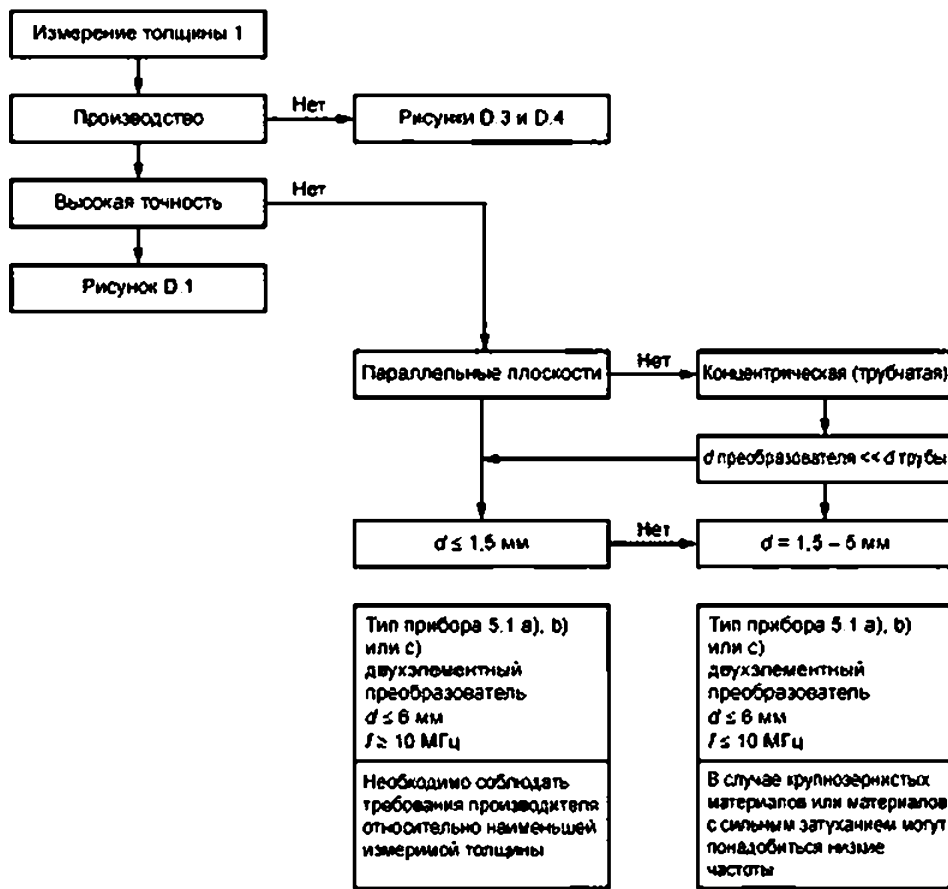
			.2.1	.2.2
			0	0
			0	0
			0	0
			0	0
		Ra 6.3	0.006 3	0.003 2
			0	0
			0	0
			0	0
			0	0
			0	0
		- / -	0	0
		- : 0.01 : 30 /	0.05	0.025

				-2.1	.2.2
			-	0.01	0.006
			: 0.01	0	0
				0	0
			: 10	0,03	0.018
			1 %) (0.1	0.05
				0	0
		V-		0	0
				0	0
-				0	0
				0.1	0.05
		-	-	0	0
				0.206	0.135

(D)



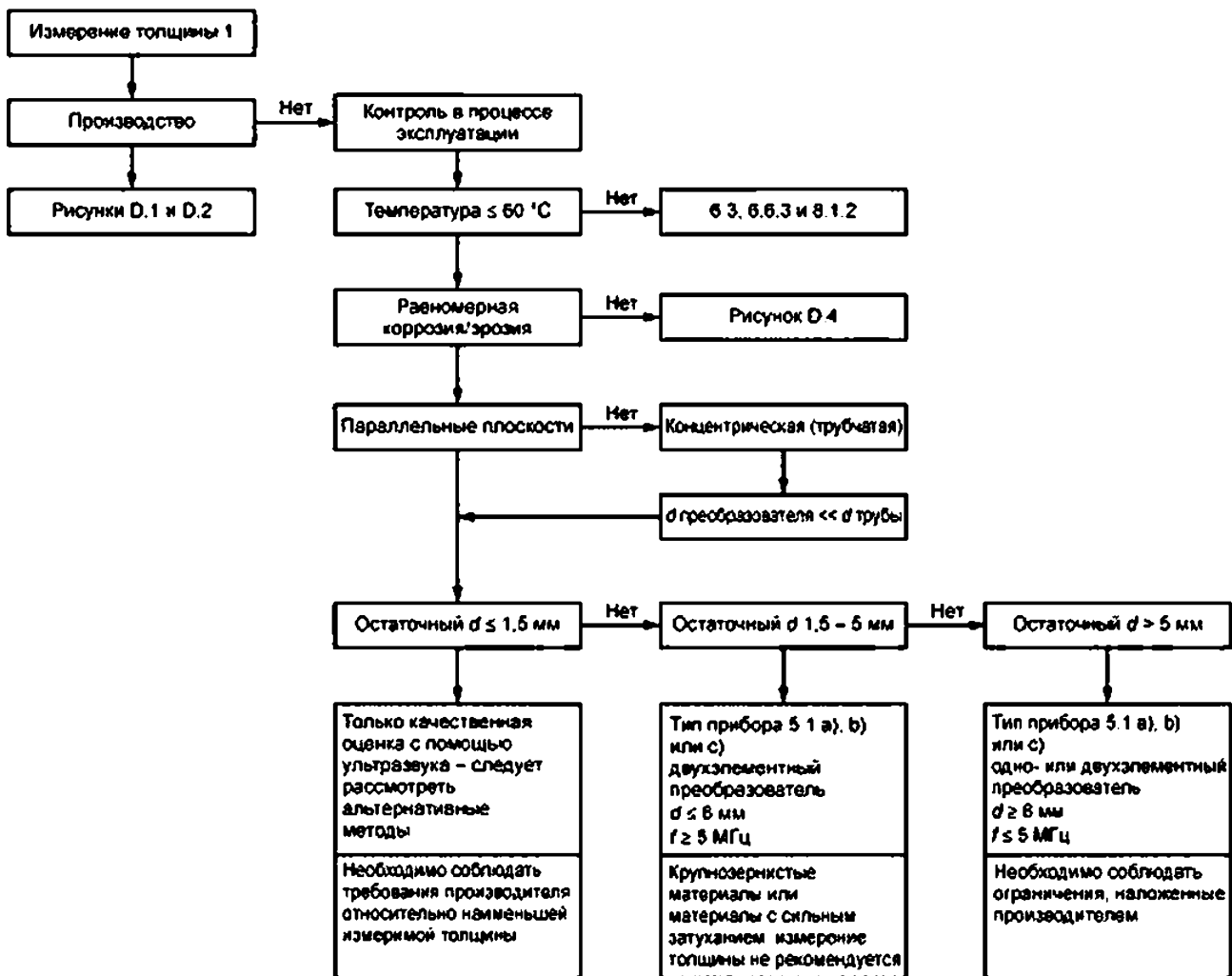
D.1 — -



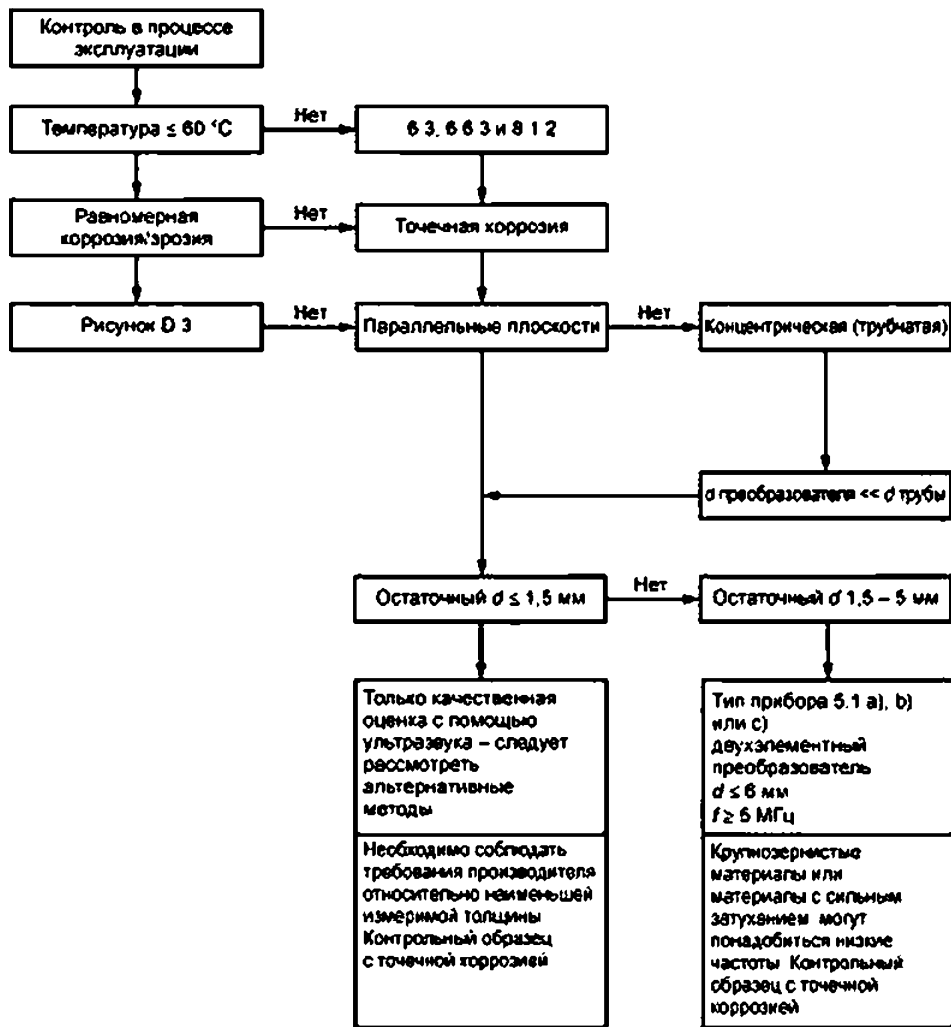
$d > 1,5$

5.1).)

*28
/*5



D.3 — -



» 0 > 5
 51),)
 4* 8 /5 5
 *

D.4 — -

()

ISO SS77:2000		5577—2009 « - »
ISO 16811	—	»
EN 1130-4	—	»
* . -		
. . -		
: -		
- - .		

ГОСТ применим к оборудованию ультразвукового контроля

- [1] ISO 9712. Non-destructive testing — Qualification and certification of NDT personnel
- [2] ISO 14253*2. Geometrical product specifications (GPS) — Inspection by measurement of workpieces and measuring equipment — Part 2: Guidance for the estimation of uncertainty in GPS measurement. In calibration of measuring equipment and in product verification
- [3] Directive 97/23/EC of the European Parliament and of the Council of 29 May 1997 on the approximation of the laws of the Member States concerning pressure equipment (as amended and corrected). Off. J. 1997—07—09. L 81. pp. 1—68

620.179.16:006.354

19.100

: . , -
,

H.Q.

31.07.201 S. ! 01.10.2015. ! * 84
4.1 . - . 3.S0. «. 3182.

« * 123995 .. 4.
vrvvM.goBtin1o.ru infoQgostinfoTu